

FEDERAL SUPPLY CLASS
4720

REV.
D

AS4704™

RATIONALE

CORRECT NOTE /8/ WORDING.

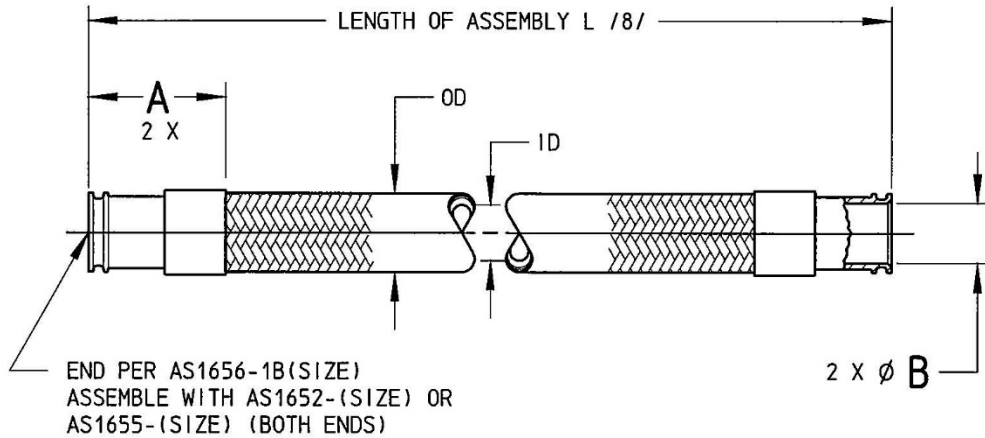


FIGURE 1 - HOSE ASSEMBLY

TABLE 1 - BASIC HOSE AND END FITTING DIMENSIONS

BASIC NO. AND SIZE CODE	HOSE SIZE (REF)	A MAX	B (REF)	ID (REF)	OD MIN	OD MAX
AS4704-08	.500	1.40	.425	.500	.65	.73
AS4704-10	.625	1.40	.550	.625	.81	.85
AS4704-12	.750	1.53	.654	.750	.94	.98
AS4704-16	1.000	1.73	.909	1.000	1.19	1.23

TABLE 2 - LENGTH TOLERANCE

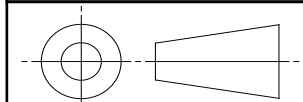
HOSE ASSEMBLY LENGTH	PREFERRED INCREMENTS	TOLERANCE
UNDER 18 INCHES	(NOT LESS THAN) .125	+.125/- .125
18 TO 36 INCHES EXCLUSIVE	(NOT LESS THAN) .250	+.250/- .250
36 TO 100 INCHES EXCLUSIVE	(NOT LESS THAN) .500	+.375/- .375
100 INCHES AND OVER	(NOT LESS THAN) 1.000	+.5%/- .500

TABLE 3 - HOSE ASSEMBLY WEIGHT INFORMATION

HOSE SIZE CODE	HOSE LB/IN NOM (REF)	END FITTING LB/EA STRAIGHT NOM (REF)	HOSE LENGTH CORRECTION FACTOR, INCH /9/
08	.0081	.038	.70
10	.0111	.047	.70
12	.0137	.083	.75
16	.0182	.118	.80

SAE values your input. To provide feedback
on this Technical Report, please visit
<http://standards.sae.org/AS4704D>

THIRD ANGLE PROJECTION



CUSTODIAN: G-3/G-3D

PROCUREMENT SPECIFICATION: AS4468 /2/



AEROSPACE STANDARD

HOSE ASSEMBLY, LINED SILICONE,
125 PSI, FIXED CAVITY COUPLING, POTABLE WATER,
STRAIGHT MALE TO STRAIGHT MALE

AS4704™
SHEET 1 OF 2

REV.
D

SAE Technical Standards Board Rules provide that: "This report is published by SAE to advance the state of technical and engineering sciences. The use of this report is entirely voluntary, and its applicability and suitability for any particular use, including any patent infringement arising therefrom, is the sole responsibility of the user." SAE reviews each technical report at least every five years at which time it may be revised, reaffirmed, stabilized, or cancelled. SAE invites your written comments and suggestions.